

1.2A,30V,1.2MHz Step-Down Converter

DESCRIPTION

The EUP3458 is current mode, step-down switching regulator capable of driving 1.2A continuous load with excellent line and load regulation. The EUP3458 can operate with an input voltage range from 4.5V to 30V and the output can be externally set from 0.8V to 15V with a resistor divider.

Fault protection includes cycle-by-cycle current limiting and thermal shutdown. In shutdown mode the regulator draws 1 μ A of supply current. Internal soft-start minimizes the inrush current and the output overshoot.

The EUP3458 is available in SOT23-6 and TSOT23-6 packages.

FEATURES

- 1.2A Output Current
- 0.3 Ω Internal DMOS Output Switch
- 4.5V to 30V Input Operating Range
- Output Adjustable from 0.8V to 15V
- Up to 92% Efficiency
- 1 μ A Shutdown Current
- Fixed 1.2MHz Frequency
- Thermal Shutdown and Overcurrent Protection
- Input Supply Undervoltage Lockout
- Available in SOT23-6 and TSOT23-6 Packages
- RoHS Compliant and 100% Lead(Pb)-Free Halogen-Free

APPLICATIONS

- Distributed Power Systems
- Battery Charger
- Pre-Regulator for Linear Regulators
- WLED Drivers

Typical Application Circuit

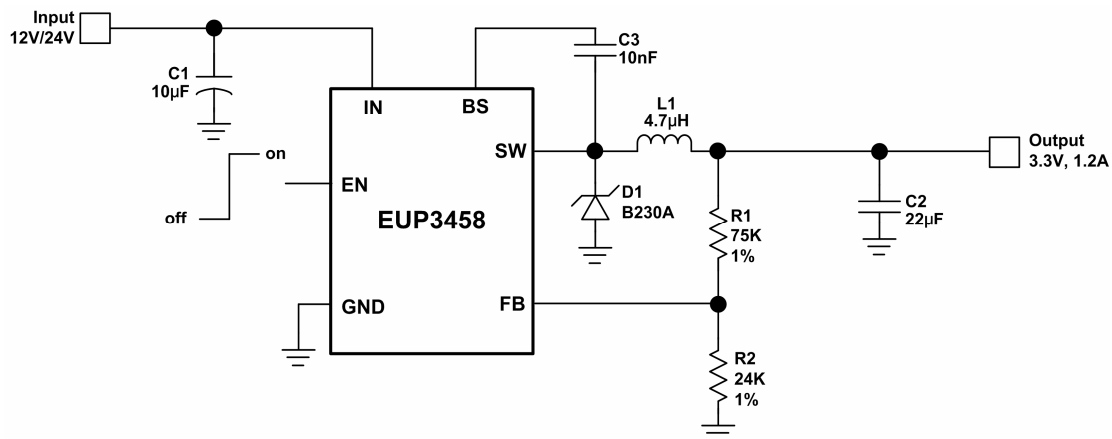


Figure 1. 12V/24V to 3.3V Application Circuit